

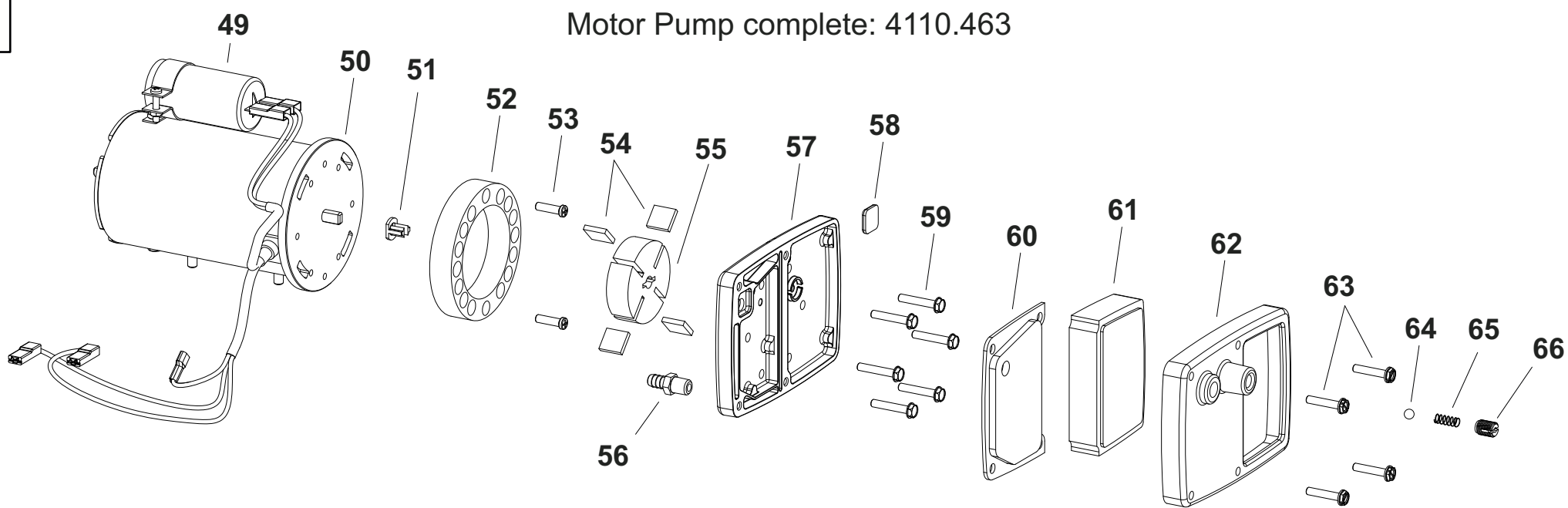
MODEL B 300CED

UNIT 2

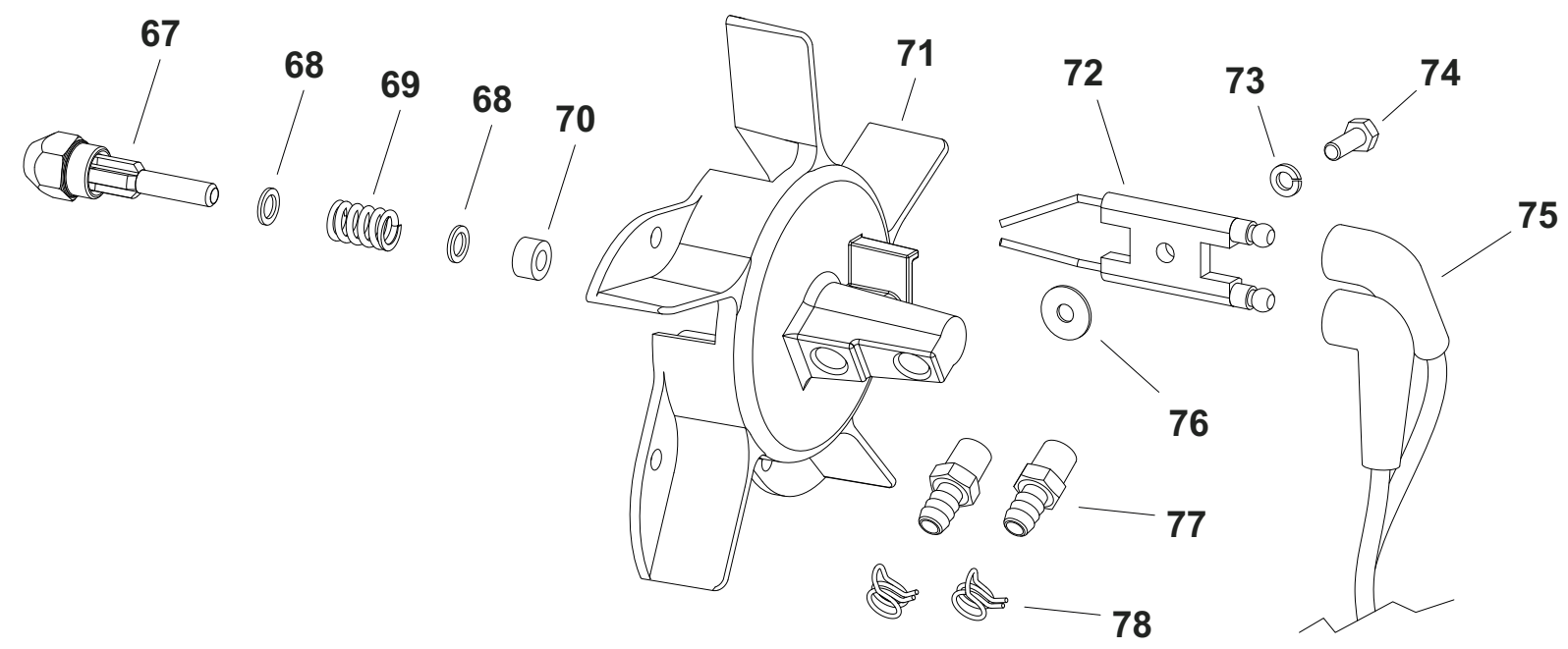
ILLUSTRATED PARTS BREAKDOWN

A

Motor Pump complete: 4110.463



B



Pos.	Code NR	Description
1	4110.360	UPPER SHELL
2	4111.057	HANDLE PLUG
3	4100.162	HANDLE
4	4110.595	COMBUSTION CHAMBER
5	4100.659	PHOTOCELL BRACKET
6	4110.564	PHOTOCELL
7	4111.831	HT CABLE
8	4110.159	HOSE CLAMP
9	4104.147	AIR HOSE
10	4100.187	OIL HOSE HEATER N°1
11	4100.189	OIL HOSE HEATER N°2
12	4101.151	CABLE GLAND (SMALL)
13	4160.646	CABLE GLAND (BIG)
14	4105.062	FAN
15	4150.553	MOTOR BUMPER
16	4101.240	MOTOR BRACKET
17	4111.926	LOWER SHELL
18	4103.695	PLASTIC GRID
19	4111.480	WHEEL PLUG
20	4110.978	WHEEL
21	4111.072	BLOCK WASHER
22	4032.478	WHEELS AXLE
23	4032.476	WHEEL SUPPORT
24	4165.204	SWITCH
25	4160.647	THERMOSTAT SOCKET
26	4161.400	THERMOSTAT PLUG
27	4162.467	THERMOSTAT CAP
28	4100.181	CONTROL PANEL LABEL
29	4100.179	CONTROL PANEL
30	4106.110	TERMINAL BOX
31	4100.176	CONTROL PANEL SUPPORT
32	4100.168	LATERAL PANEL
33	4100.172	INTERNAL PANEL
34	4100.174	SIDE CONTROL PANEL
35	4100.170	POWER CORD LATERAL PANEL
36	4100.656	NUT
37	4150.528	POWER CORD GLAND
38	4033.253	POWER CORD SCHUKO (TYPE F+E)
38-A	4033.252	POWER CORD NEW ZEALAND (TYPE I)
38-B	4033.302	POWER CORD UK (TYPE G)
39	4100.202	FLAME CONTROL
40	4111.885	HIGH TENSION TRANSFORMER
41	4100.191	SUCTION COPPER PIPE

Pos.	Code NR	Description
42	4100.192	90° CONNECTION
43	4100.193	SUCTION HOSE
44	4100.630	SUCTION FILTER
45	4260.105	FUEL GAUGE
46	4260.100	TANK CAP
47	4290.083	TANK FILTER
48	4100.164	TANK
49	4111.855	CAPACITOR
50	4111.852	MOTOR
51	4108.635	MOTOR PUMP COUPLING
52	4101.532	PUMP BODY
53	4108.590	PUMP BODY SCREW
54	4101.666	ROTOR BLADE
55	4103.441	ROTOR
56	4104.118	STRAIGHT CONNECTION
57	4101.325	PUMP END COVER
58	4101.333	LINT FILTER
59	4108.536	SCREW
60	4101.341	OUTPUT FILTER
61	4101.358	INTAKE FILTER
62	4108.643	END COVER
63	4108.528	SCREW
64	4108.379	STEEL SPHERE
65	4102.141	PRESSURE REGULATION SPRING
66	4102.133	REGULATION SCREW
67	4103.898	NOZZLE
68	4100.525	WASHER
69	4100.533	NOZZLE SPRING
70	4101.622	NOZZLE SEAL SLEEVE
71	4110.377	BURNER HEAD
72	4110.337	BIFILAR ELECTRODE
73	4110.393	ELASTIC WASHER
74	4110.363	SCREW
75	4111.831	HT CABLE
76	4110.394	FIBER WASHER
77	4104.118	STRAIGHT CONNECTION
78	4110.159	HOSE CLAMP
79	4102.125	CLOSURE SCREW
A	4110.463	MOTOR PUMP COMPLETE