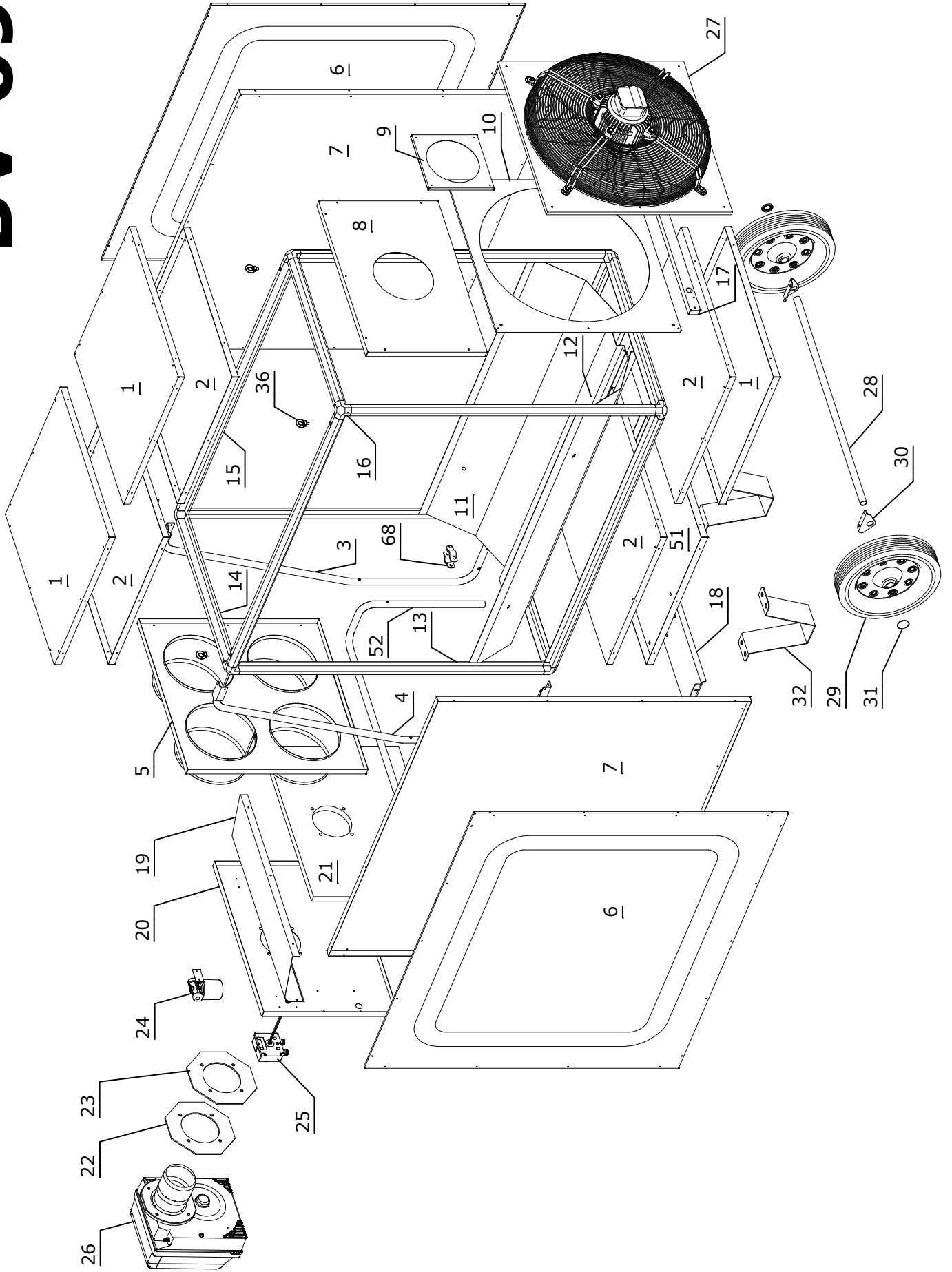
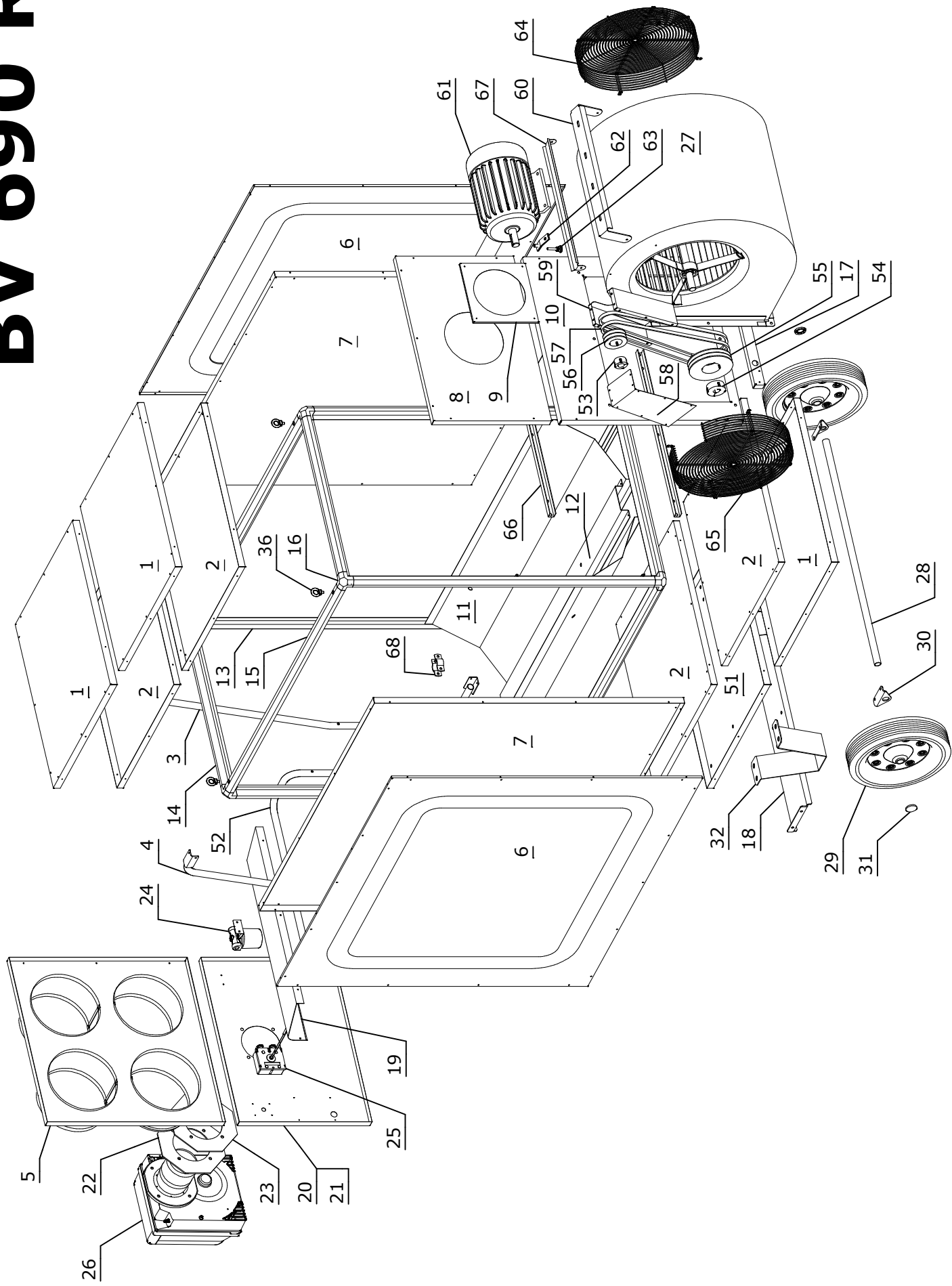


BV 690 F

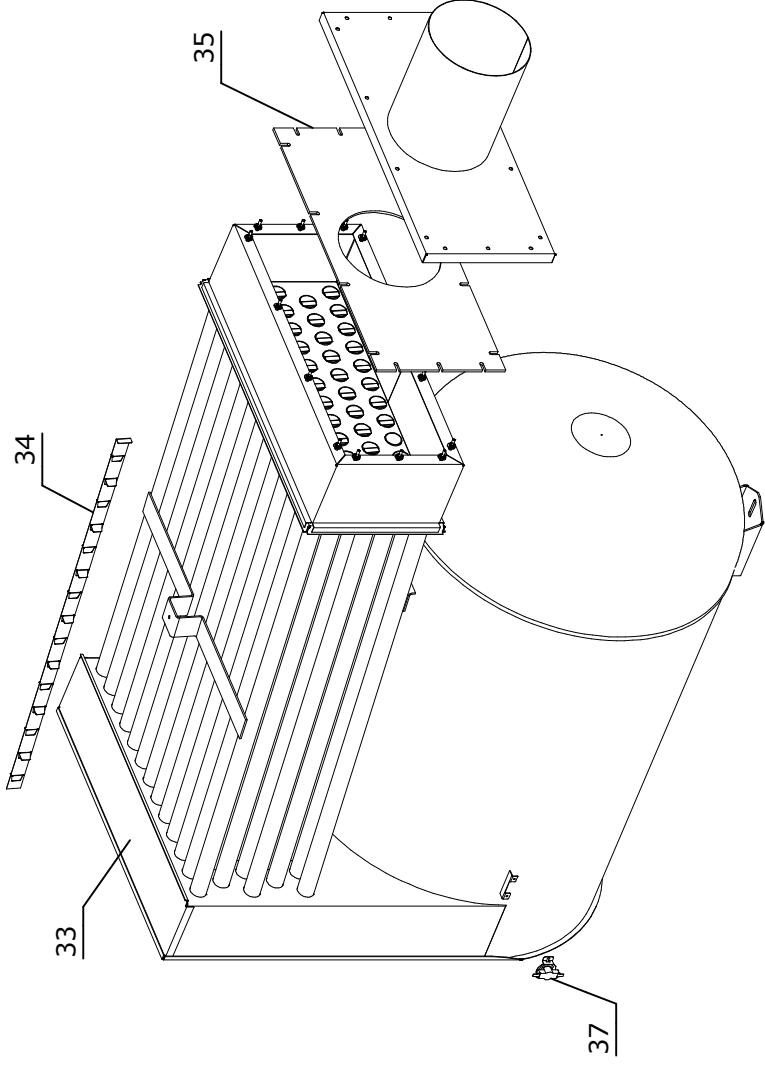


BV 690 RF

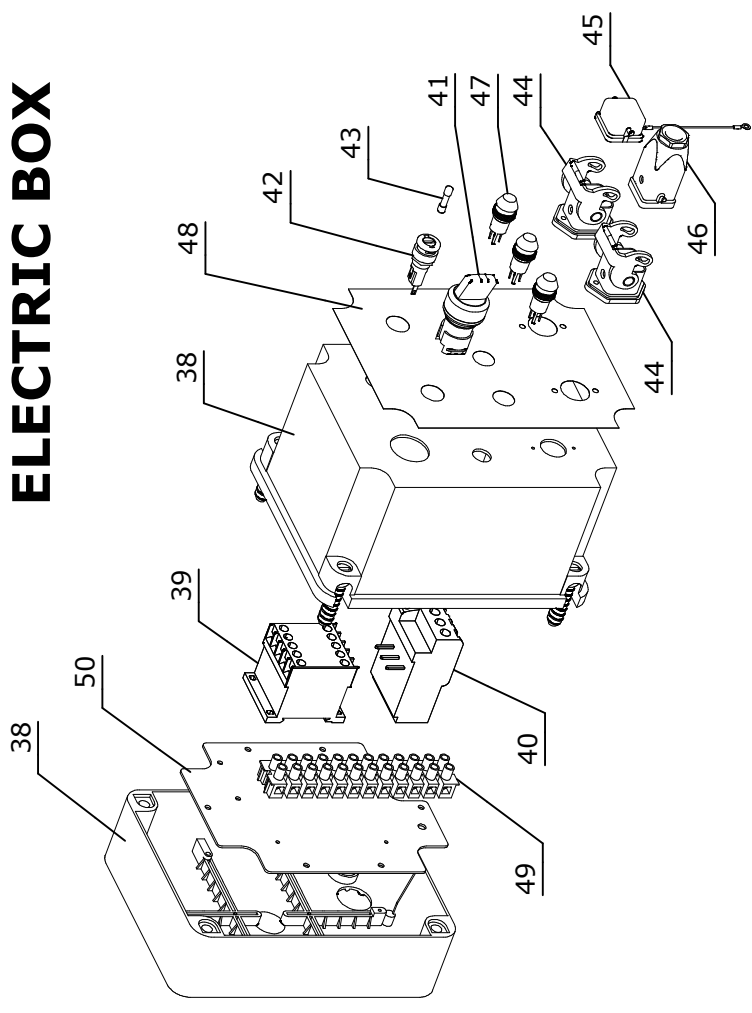


BV 690 F / BV 690 RF

COMBUSTION CHAMBER



ELECTRIC BOX



MASTER HIGH OUTPUT INDIRECT HEATERS BV 690 F / BV 690 RF

Pos.	Description	BV 690 F	BV 690 RF
1	Upper External Panel	S/R	S/R
2	Upper Internal Panel	S/R	S/R
3	Left Protection	4514.179	4514.179
4	Right Protection	4514.180	4514.180
5	4-Way Air Outlet Panel	4514.170	4514.170
5	1-Way Air Outlet Panel (Optionally)	4514.093	4514.093
6	Lateral External Panel	S/R	S/R
7	Lateral Internal Panel	S/R	S/R
8	Chimney Panel	S/R	S/R
9	Flange Cover Chimney	S/R	S/R
10	Fan Internal Panel	S/R	S/R
11	Deflector	S/R	S/R
12	Combustion Chamber Bracket	S/R	S/R
13	Chamfered Profile For Panel 25 L=1200	S/R	S/R
14	Chamfered Profile For Panel 25 L=690	S/R	S/R
15	Chamfered Profile For Panel 25 L=1381	S/R	S/R
16	3 Way Corner For Chamfered Profile	S/R	S/R
17	Rear Panel	S/R	S/R
18	Wheel Support	S/R	S/R
19	Burner Cover	S/R	S/R
20	Burner External Panel	S/R	S/R
21	Burner Thermic Insulator	4514.615	4514.615
22	Universal Plate	4514.168	4514.168
23	Plate Seal	4514.616	4514.616
24	Oil Pre Heater	4031.120	4031.120
25	Fan Limit Double Thermostat	4514.410	4514.410
26	Oil Burner RG4 F	4514.304	4514.304
27	Fan	4514.303	4514.312
28	Axle	4514.183	4514.183
29	Wheel D.385	4514.617	4514.617
30	Hub Bracket	4514.128	4514.128
31	Fixing Washer For Shaft With Cup	4514.803	4514.803
32	Front Base	S/R	S/R
33	Combustion Chamber	4514.186	4514.186
34	Bracket For Turbulence	4514.193	4514.193
35	Flue Chamber Seal	4514.619	4514.619
36	Lifting Eye Bolt M8	4514.801	4514.801
37	Overheat Thermostat	4031.047	4031.047
38	Waterproof Case (Front And Back)	4514.609	4514.609
39	Contacto 4Kw 400V	4514.416	4514.416
40	Thermal Relay 4-6A	4514.418	4514.418
41	Switch 3P	4514.402	4514.402
42	Fuse Holder 5X20, 6,3A	4514.400	4514.400
43	Fuse 5X20 3,15A 250V	4514.409	4514.409
44	Socket Case	4514.611	4514.611
45	Cap For Thermostat Socket	4162.467	4162.467
46	Thermostat Plug	4111.118	4111.118

MASTER HIGH OUTPUT INDIRECT HEATERS BV 690 F / BV 690 RF

Pos.	Description	BV 690 F	BV 690 RF
47	Indicator Light 230V	4514.415	4514.415
48	Panels Label	4514.512	4514.512
49	Terminal Block 12T 6 ²	4514.404	4514.404
50	Electric Components Plate	4514.141	4514.141
51	Bottom Internal Panel I	S/R	S/R
52	Holder	4514.212	4514.212
53	Taper Bush	-	4517.132
54	Taper Bush	-	4517.133
55	Belt Pulley A 160mm	-	4517.131
56	Belt Pulley A 80mm	-	4517.130
57	V-Belt L=1320 mm	-	4514.311
58	Belt Guard Cover	-	4514.277
59	Belt Transmission Guard	-	4514.276
60	Motor Bracket	-	4514.269
61	3-Phase Motor, 4Kw	-	4514.310
62	Motor Support	-	4517.115
63	Self-Aligning Foot M8X43	-	4517.129
64	Protect Guard II	-	4514.272
65	Protect Guard I	-	4514.271
66	Fan Assembly Channel	-	4514.268
67	Stretcher Foot Bracket	-	4514.270
68	Clamp	4514.833	4514.833

S/R = Parts available by special request only