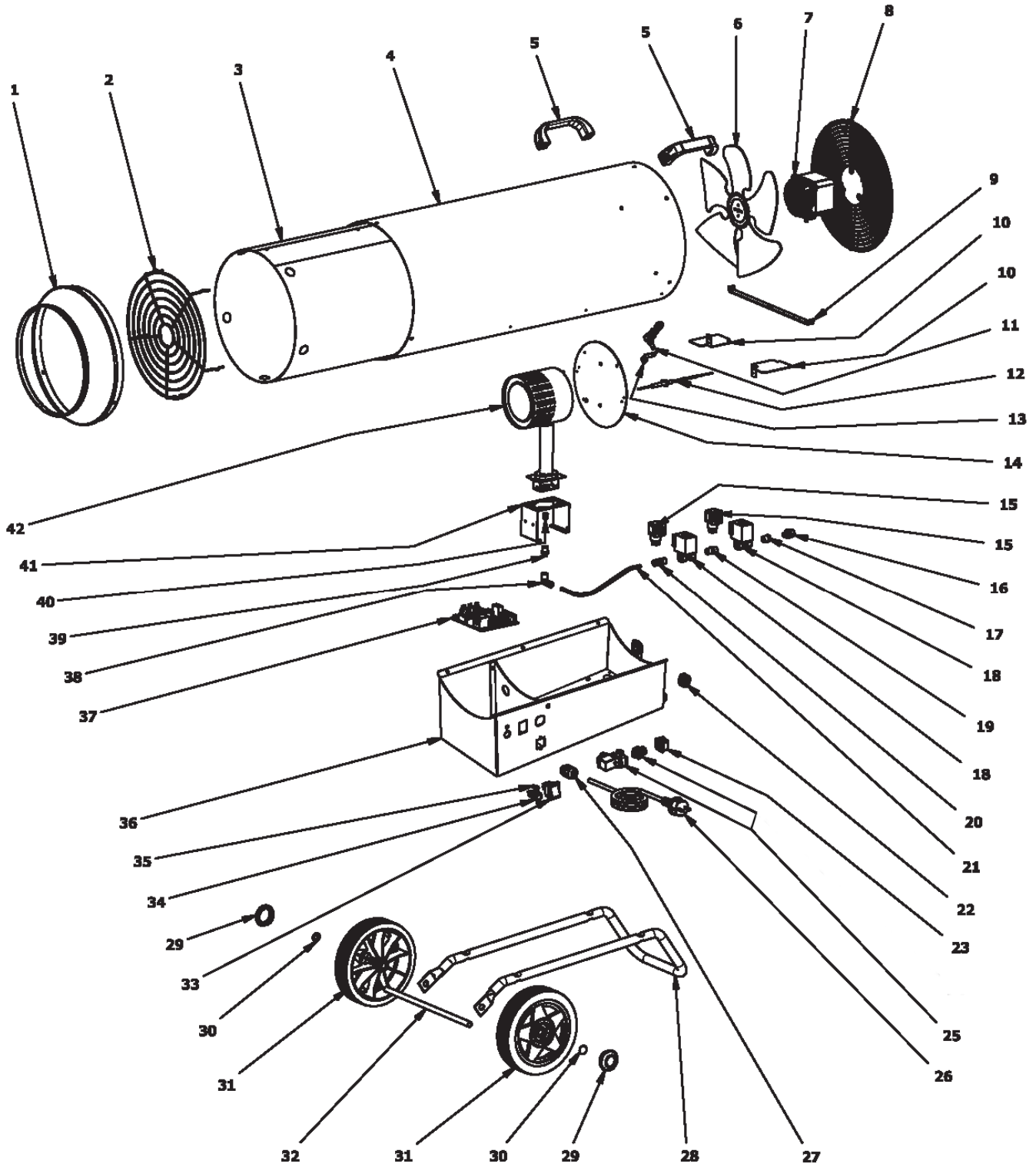


BLP 103 E



MASTER GAS HEATERS BLP 103 E

Pos.	COD.	DESCRIPTION
1	4162.759	OUTLET CONE
2	4160.759	OUTLET GRID
3	4162.758	COMBUSTION CHAMBER
4	S/R	COVER
5	4160.715	PLASTIC HANDLE
6	4160.959	FAN
7	4160.958	ELECTRIC MOTOR
8	4160.758	INLET GRID
9	4161.012	SUPPORT ELECTRIC MOTOR
10	4162.816	AIR FLAP
11	4160.080	AIR-TEMP FLOW SENSOR
12	4160.237	IGNITION ELECTRICAL FOLDER
13	4162.857	SUPPORT FOR SENSOR
14	4162.775	PLATE BURNER
15	4032.110	ELECTROVALVE CABLE
16	4160.700	GAS INLET NOZZLE
17	4160.964	NIPPLES REDUCER
18	4160.963	ELECTROVALVE
19	4161.095	NOZZLE 1/4"
20	4160.962	NOZZLE 1/4" - 1/8"
21	4162.773	COPPER EXTENDING VALVE-NOZZLE
22	4161.854	BLOCK FOR NOZZLE
23	4162.467	CAP FOR THERMOSTAT SOCKET
25	4111.119	THERMOSTAT SOCKET COMPLETE
26	4160.631	POWER CORD
27	4150.528	STRAIN RELIEF
28	4162.777	FRAME
29	4110.129	WHEEL HUB
30	4110.162	WASHER
31	4110.084	WHEEL
32	4162.779	WHEEL AXLE
33	4161.057	SWITCH
34	4161.058	RESET SWITCH
35	4162.790	LOW VOLTAGE LED
36	4162.765	BASE
37	4162.718	CTRL BOX GENIUS SDS
38	4160.967	90° ELBOW 1/8"
39	4160.768	SUPPORT GAS NOZZLE
40	4160.770	GAS NOZZLE
41	4162.760	BURNER SUPPORT
42	4162.771	GAS BURNER

S/R = Parts available by special request only