

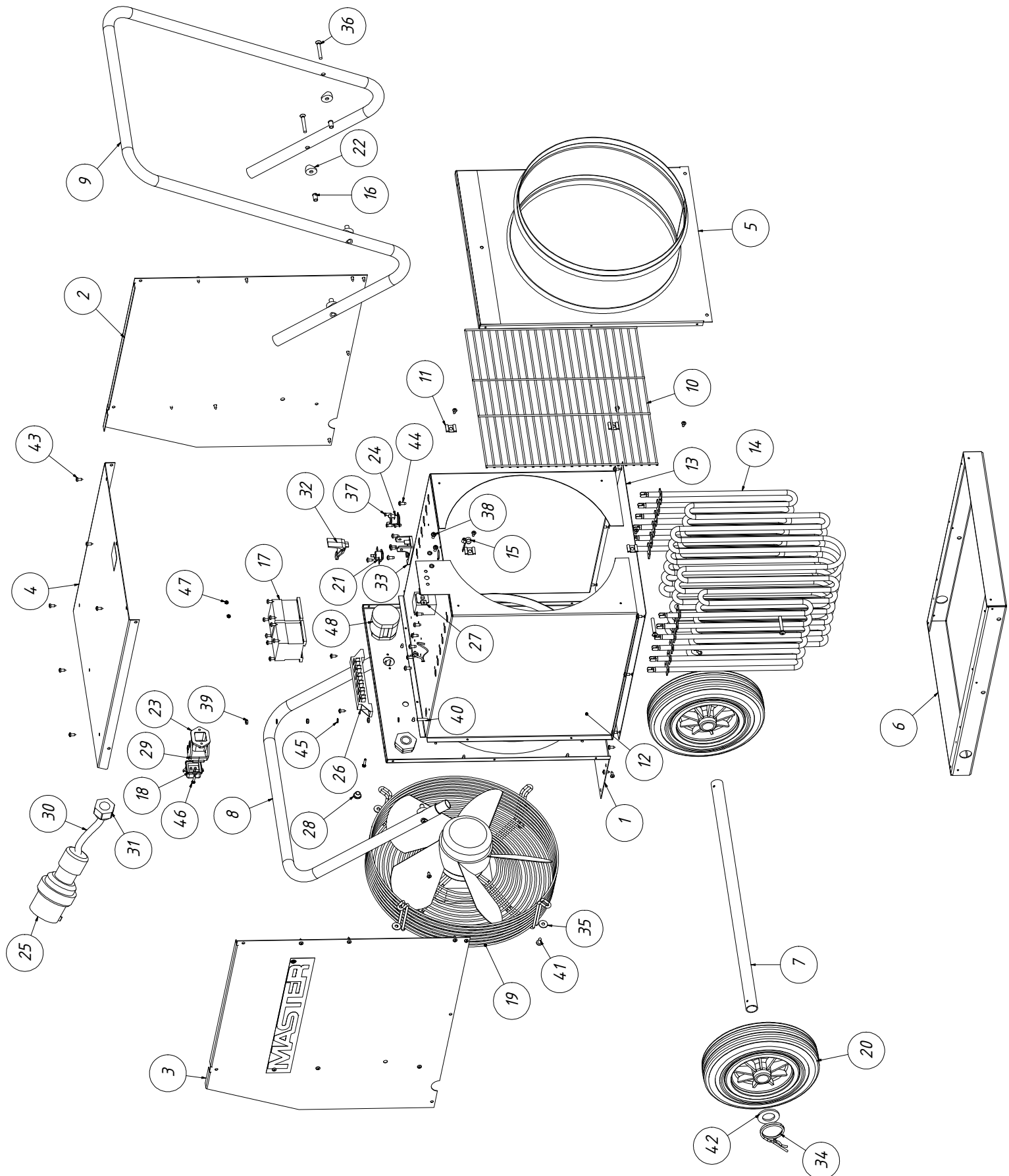
B 18 EPR MODEL 2011

UNIT 1

ILLUSTRATED PARTS BREAKDOWN

From Serial Number: 116500001

Edizione 2011
Rev. A



Pos.	Code NR	Description
1	S/R	BACK COVER
2	S/R	LEFT SIDE COVER
3	S/R	RIGHT SIDE COVER
4	S/R	TOP COVER
5	S/R	FRONT COVER
6	S/R	DOWN COVER
7	4511.207	WHEEL AXLE
8	4511.208	BACK PIPE HANDLE
9	4511.209	FRONT PIPE HANDLE
10	4511.215	GRILL
11	4510.140	WASHER FIXING
12	S/R	HEAT SHIELD
13	S/R	BOTTOM HEAT SHIELD
14	4510.372	HEATING ELEMENT 3000W/230V
15	4510.846	BAND CLIP
16	4514.824	STEEL RIVED NUT
17	4514.416	CONTACTOR 4KW 400V
18	4162.467	CAP FOR THERMOSTAT SOCKET
19	4510.319	MOTOR WITH ACCESSORIES 70/145W 230V
20	4513.604	WHEEL 200 MM
21	4510.435	THERMAL CUT-OUT WITH MANUAL RESET
22	4513.633	SADDLE WASHER 19
23	4514.611	SOCKET CASE
24	4510.404	OVERHEAT SENSOR 16A/250V 600C/NO
25	4510.447	PLUG PANEL MOUNTED 32A/400V
26	4510.414	SCREW TEWRMINAL BLOCK
27	4514.422	CAPILLARY THERMOSTAT
28	4510.624	STRAIN RELIEF BUSHING
29	4514.406	PLUG 3P+PE
30	4510.445	SUPPLY CORD WITH PLUG
31	4511.620	GLAND
32	4510.612	RESET LEVER
33	4510.611	BASE FOR RESET LEVER
34	4510.842	COTTER PIN
35	4510.839	PLAIN WASHER
36	4510.845	KNOB HEAD SCREW M5X35
37	4510.841	SHEET-METAL SCREW
38	4510.852	SCREW M4X6
39	4510.808	HEXAGON NUTS M4
40	4510.804	SCREW M4X20
41	4510.821	TAPPING SCREW ST4.8X9.5
42	4510.843	WASHER PN
43	4510.847	TAPPING SCREW ST3.5X9.5
44	4510.802	TAPPING SCREW ST3.9X9.5
45	4510.810	SPRING LOCK WASHERS
46	4513.802	SCREW M3X16
47	4513.807	NUT M3
48	4510.429	CAM FASTENER

S/R = Parts available on special request only