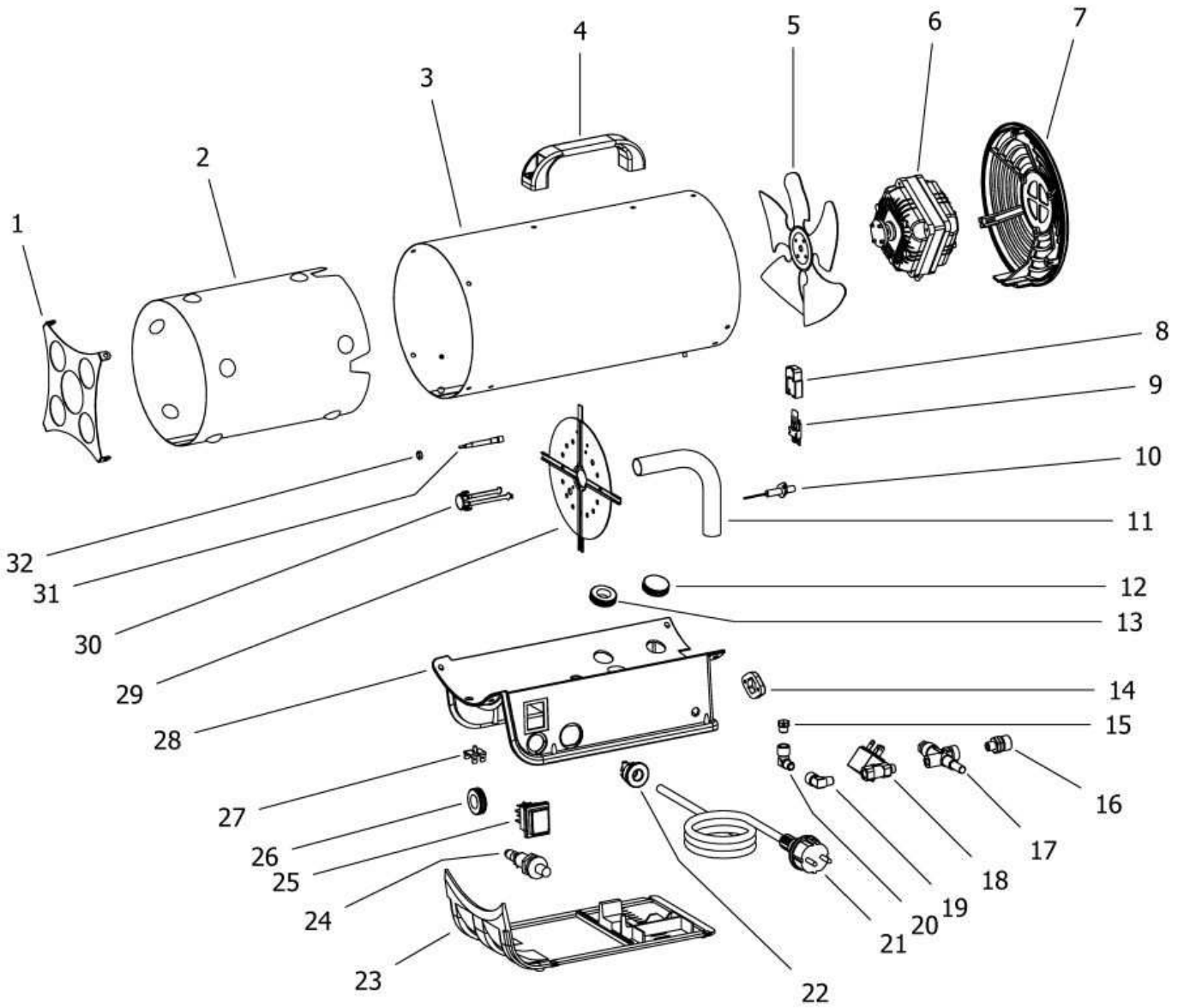


BLP 11 M



BLP 11 M

Pos	Code	Description
1	4160.714	OUTLET GRID
2	4162.848	COMBUSTION CHAMBER
3	4162.912	COVER
4	4162.893	PLASTIC HANDLE
5	4162.251	FAN 172 19°
6	4160.044	MOTOR
7	4160.713	PLASTIC GRID
8	4162.909	SAFETY THERMOSTAT COVER
9	4162.910	SAFETY THERMOSTAT
10	4160.707	IGNITOR ELECTRICAL FOLDER
11	4162.697	BURNER PIPE
12	4162.500	GROMMET
13	4160.646	GROMMET
14	4161.854	BLOCK FOR NOZZLE
15	4160.746	GAS NOZZLE
16	4160.048	GAS INLET NOZZLE
17	4161.137	SAFETY GAS VALVE
18	4160.562	ELECTROVALVE
19	4160.620	90° DEGREE ELBOW 1/8"
20	4160.620	90° DEGREE ELBOW 1/8"
21	4160.539	POWER CORD
22	4160.635	KEEPER WIRE DEVICE
23	4162.914	LOWER PLASTIC BASE
24	4162.222	PIEZO IGNITOR
25	4160.637	SWITCH
26	4160.646	GROMMET
27	4160.639	RIVET POP
28	4162.913	UPPER PLASTIC BASE
29	4162.699	BURNER PLATE
30	4162.698	BURNER END
31	4106.041	INTERRUPTED THERMOCOUPLE
32	4106.043	THERMOCOUPLE NUT