

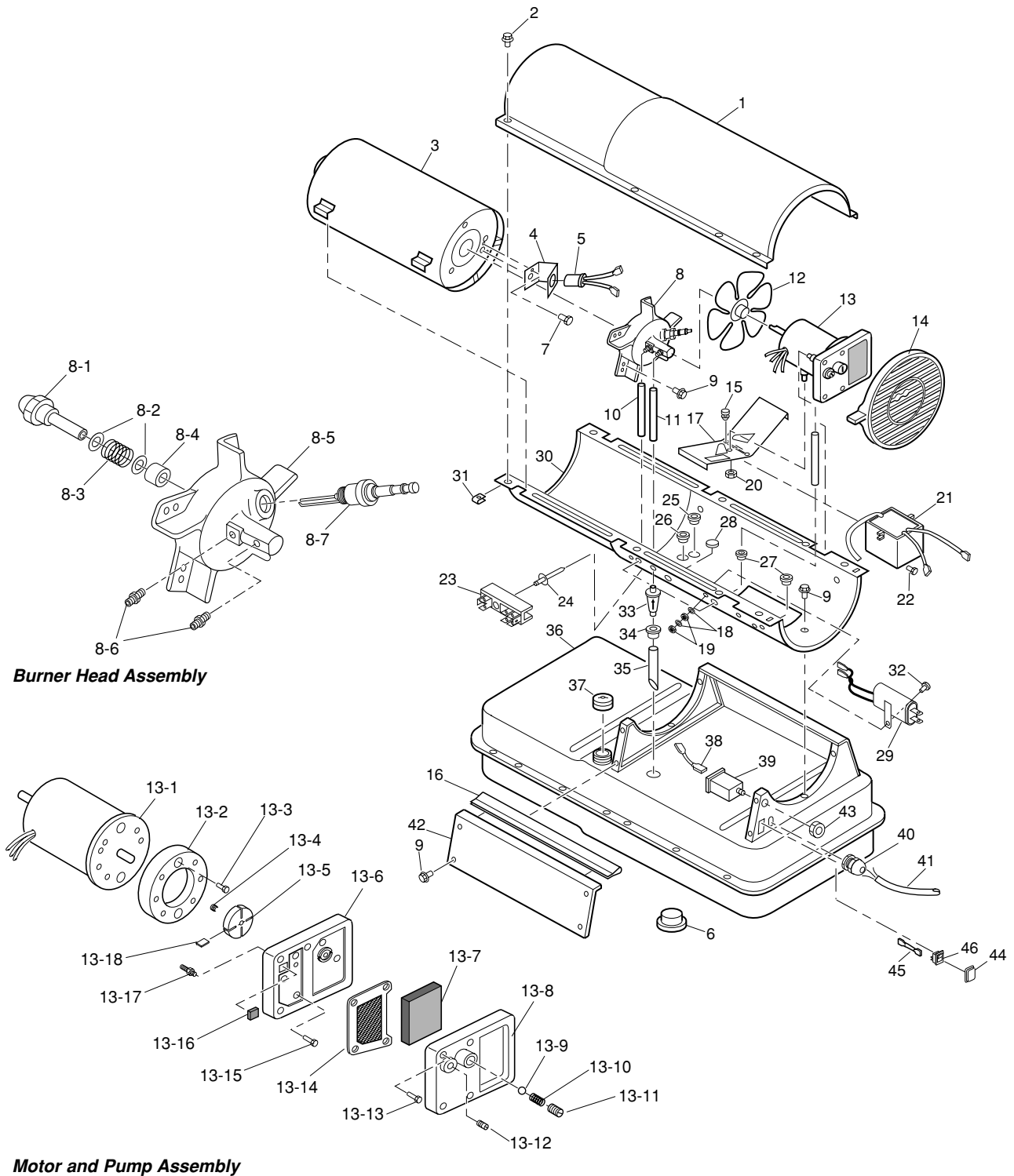
MASTER[®]
CLIMATE SOLUTIONS



MANUAL SERVICE B100CED

Model 2010	pag. 2
Model 2010, serie 30101606 →	pag. 4
Model 2011, serie 31106984 →	pag. 8
Model 2013, serie 32134510 →	pag. 16

Model 2010



Key No.	Part Number	Description	Qty.	Key No.	Part Number	Description	Qty.
1	4104.006	Upper Shell	1	16	4103.850	Edge Liner	1
2	4109.590	Screw/Lockwasher, 1/2"	8	17	4110.186	Motor Bracket	1
3	4101.180	Combustion Chamber	1	18	4160.613	Lock Washer, #10	2
4	4100.658	Photocell Bracket	1	19	4110.134	Nut, #10-32	3
5	4110.564	Photocell Assembly	1	20	4108.486	Hex locknut	2
6	4100.632	Drain Plug	1	21	4110.609	Electronic Ignitor	1
7	4103.529	Screw, #6-32 x 3/8"	2	22	4108.510	Screw, #10-16 x 3/4"	2
8	**	Burner Head Assembly	1	23	4106.110	Terminal Board	1
8-1	4103.559	Nozzle	1	24	4110.571	Rivet	1
8-2	4100.525	Nozzle Seal Washer	2	25	4101.112	Bushing	1
8-3	4100.533	Nozzle Seal Spring	1	26	4101.112	Bushing	1
8-4	4101.622	Nozzle Seal Sleeve	1	27	4160.646	Bushing	2
8-5	4109.352	Burner Head Body	1	28	4110.070	Button Plug	1
8-6	4104.118	Barb Fitting	2	29	4105.287	Power Line RFI Filter	1
8-7	4101.846	Spark Plug	1	30	4110.566	Lower Shell	1
9	4110.124	Screw/Lockwasher, 1/2"	13	31	4104.170	Clip Nut	8
10	4104.147	Air Line	1	32	4110.133	Screw, #10-32 x 3/4"	1
11	4110.032	Fuel Line	1	33	4100.630	Fuel filter	1
12	4105.062	Fan	1	34	4100.541	Rubber Bushing	1
13	**	Motor and Pump Assembly	1	35	4110.147	Fuel Line	1
13-1	4110.080	Motor with capacitor	1	36	4110.149	Fuel Tank	1
13-2	4101.317	Pump Body	1	37	4103.891	Fuel Tank Cap	1
13-3	4108.588	Screw, #10-32 x 5/8"	2	38	4110.195	Wire Assembly (red)	1
13-4	4108.635	Insert	1	39	4104.196	Flame-Out Control	1
13-5	4108.627	Rotor	1	40	4150.528	Strain Relief Bushing	1
13-6	4101.325	End Pump Cover	1	41	4110.563	Power Cord	1
13-7	4101.358	Intake Filter	1	42	4110.062	Side Cover	1
13-8	4108.643	End Cover	1	43	4109.592	Hex Nut	1
13-9	4108.379	Steel Ball (1/4" Dia.)	1	44	4104.336	Switch Cover	1
13-10	4102.141	Pressure Relief Spring	1	45	4110.164	Wire Assembly (black)	2
13-11	4102.133	Adjusting Screw	1	46	4106.179	ON/OFF Switch	1
13-12	4102.125	Plug	1	PARTS AVAILABLE - NOT SHOWN			
13-13	4108.528	Screw, #10-32 x 1"	4		4105.292	Filler Neck Screen	1
13-14	4101.341	Output Filter	1				
13-15	4108.528	Screw, #10-32 x 1"	6				
13-16	4101.333	Lint Filter	1				
13-17	4104.118	Barb Fitting	1				
13-18	4101.200	Blade	4				
14	4103.695	Fan Guard	1				
15	4150.553	Rubber Bumper	2				

** Parts not available as an assembly, order parts separately

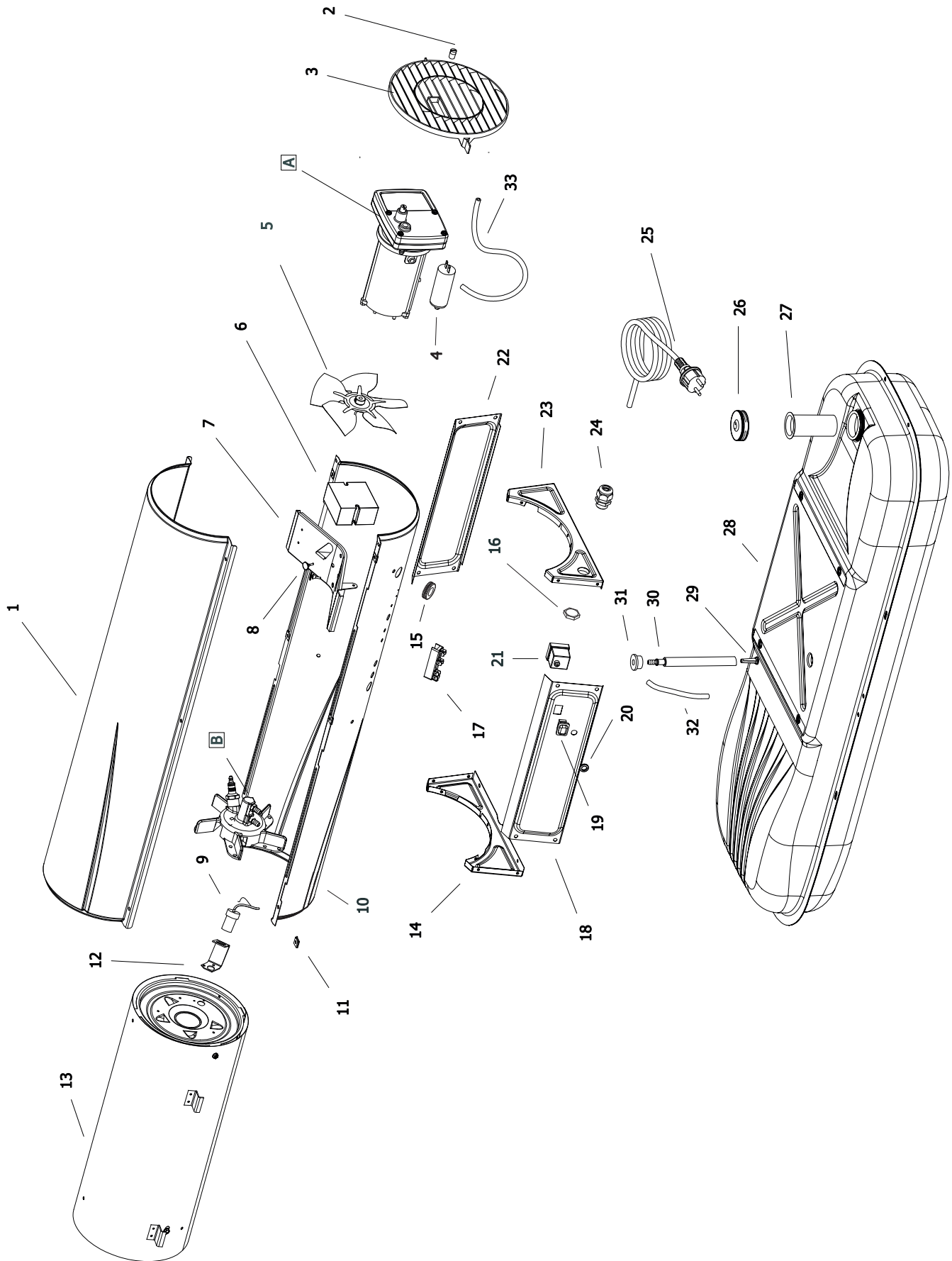
B100 CED MODEL 2010

UNIT 1

ILLUSTRATED PARTS BREAKDOWN

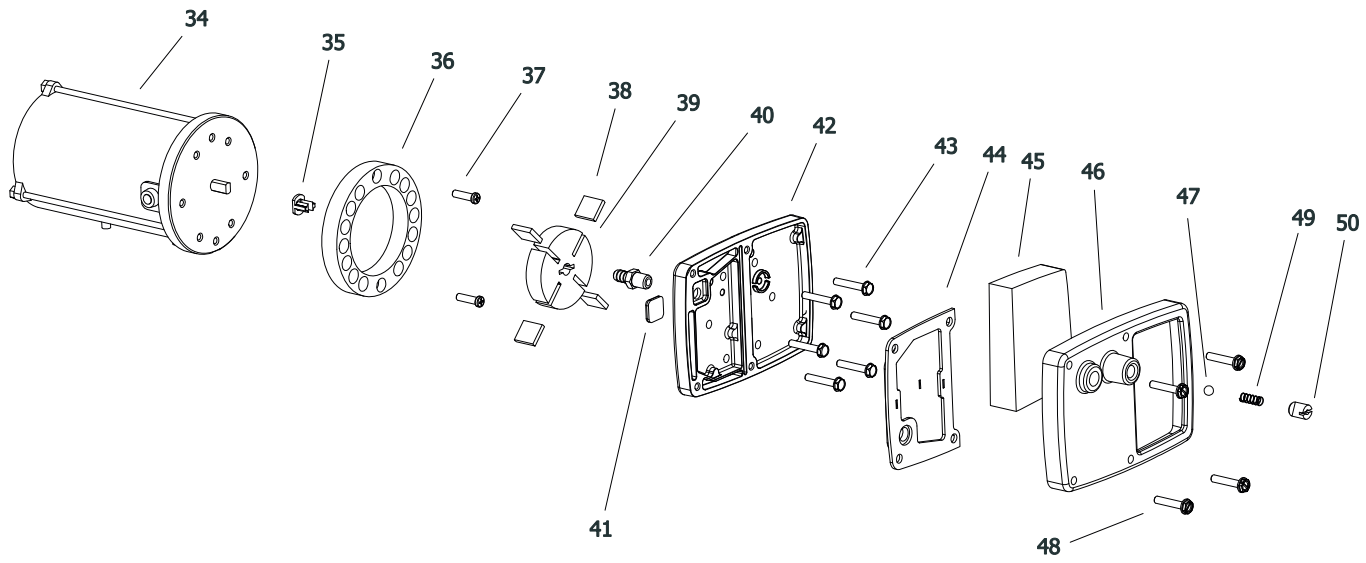
Incepand cu seria: 30101606

Model 2010

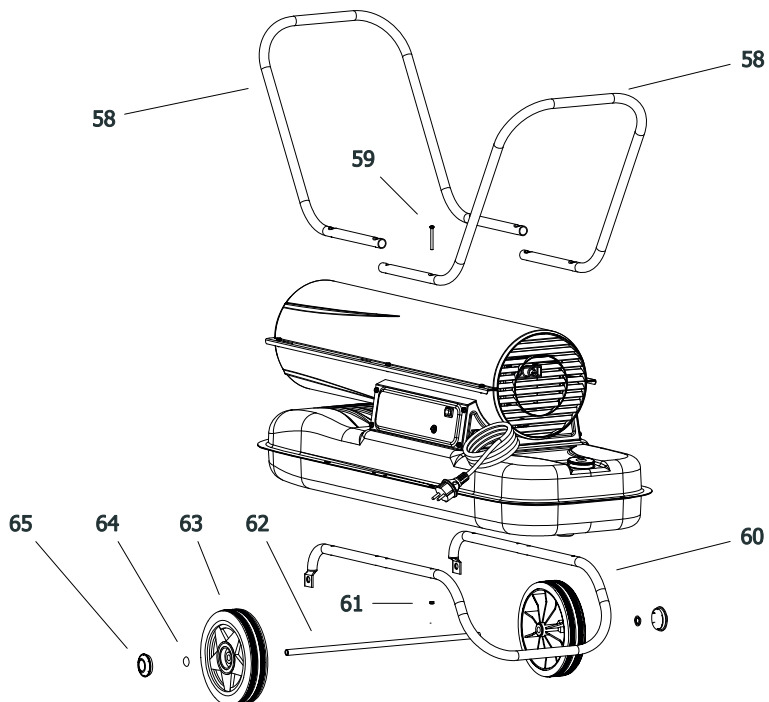
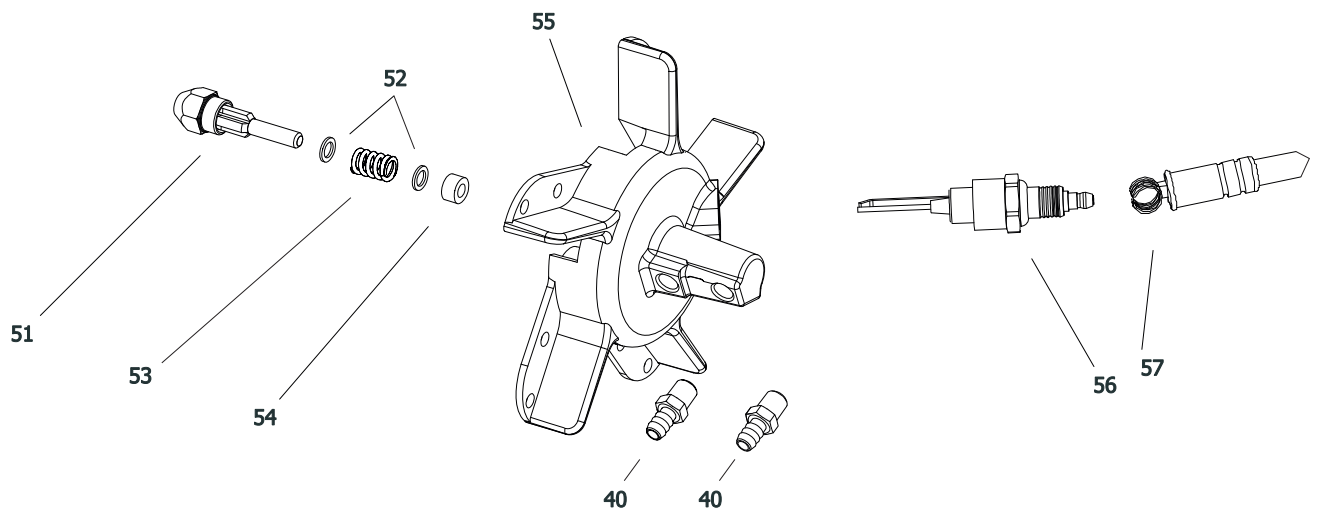


A Incepand cu seria: 30101606

Model 2010



B



Pos.	Code NR	Description
1	4110.360	UPPER SHELL
2	4102.125	PRESSURE GAUGE CAP
3	4103.695	FAN GUARD
4	4110.294	CAPACITOR
5	4105.062	FAN
6	4110.609	ELECTRONIC IGNITOR
7	4101.240	MOTOR BRACKET
8	4150.553	BUMPER
9	4110.564	PHOTOCELL ASSEMBLY
10	4110.359	LOWER SHELL
11	4104.170	CLIP NUT
12	4100.658	PHOTOCELL BRACKET
13	4101.180	COMBUSTION CHAMBER
14	4110.354	FRONT FRAME BRACKET
15	4160.646	CABLE PROTECTION
16	4100.656	LOCKNUT
17	4106.110	TERMINAL BOARD
18	4110.417	LEFT PANEL
19	4106.179	ON/OFF SWITCH
20	4109.592	NUT
21	4104.196	FLAME-OUT CONTROL
22	4110.379	RIGHT PANEL
23	4110.353	REAR FRAME BRACKET
24	4150.528	STRAIN RELIEF
25	4110.486	POWER CORD
26	4103.891	FUEL TANK CAP
27	4105.292	FUEL TANK FILTER
28	4110.891	FUEL TANK
29	4110.356	FUEL FILTER
30	4110.355	FUEL LINE
31	4100.541	RUBBER BUSHING
32	4110.032	FUEL LINE
33	4104.147	AIR LINE
34	4110.452	MOTOR 1/4 HP
35	4108.635	INSERT
36	4101.317	PUMP BODY
37	4108.588	PUMP BODY SCREW
38	4101.200	BLADE
39	4108.627	ROTOR

Pos.	Code NR	Description
40	4104.118	BARB FITTING
41	4101.333	LINT FILTER
42	4101.325	PUMP END COVER
43	4108.536	SCREW/LOCKWASHER 4,8x30
44	4101.341	OUTPUT FILTER
45	4101.358	INTAKE FILTER
46	4108.643	END COVER
47	4108.379	STEEL BALL
48	4108.528	SCREW/LOCKWASHER 4,8x25
49	4102.141	PRESSURE RELIEF SPRING
50	4102.133	ADJUSTING SCREW
51	4103.559	NOZZLE
52	4100.525	WASHER
53	4100.533	NOZZLE SEAL SPRING
54	4101.622	NOZZLE SEAL SLEEVE
55	4109.352	BURNER HEAD BODY
56	4101.846	SPARK PLUG
57	4110.194	HT CABLE
58	4110.368	HANDLES
59	4110.144	SCREW
60	4110.369	WHEEL SUPPORT FRAME
61	4110.143	LOCK NUT
62	4110.370	AXLE
63	4110.084	WHEEL
64	4110.162	WASHER
65	4110.129	CAP NUT

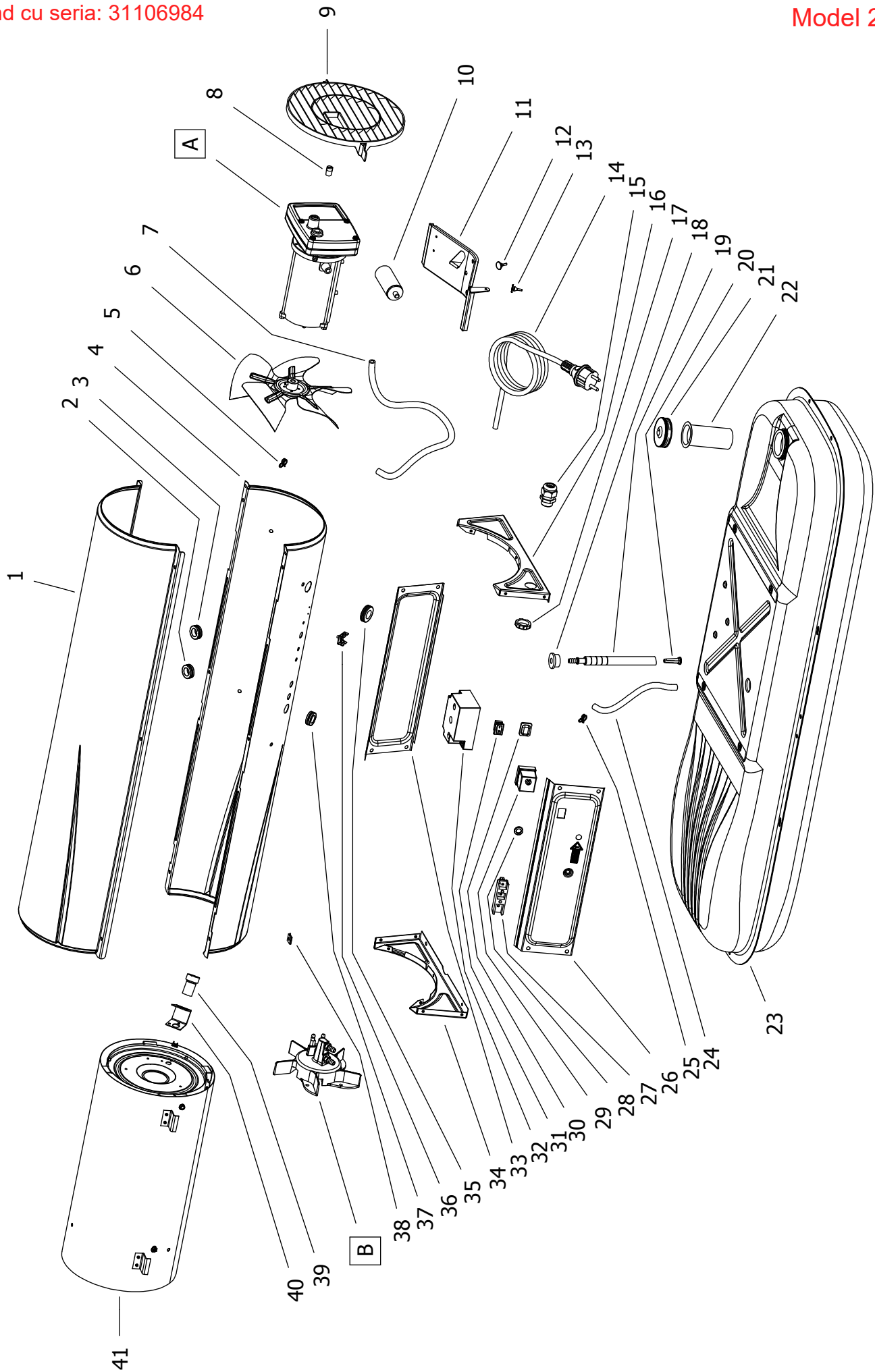
B 100 CED 2011 MODEL

UNIT 1

ILLUSTRATED PARTS BREAKDOWN

Incepend cu seria: 31106984

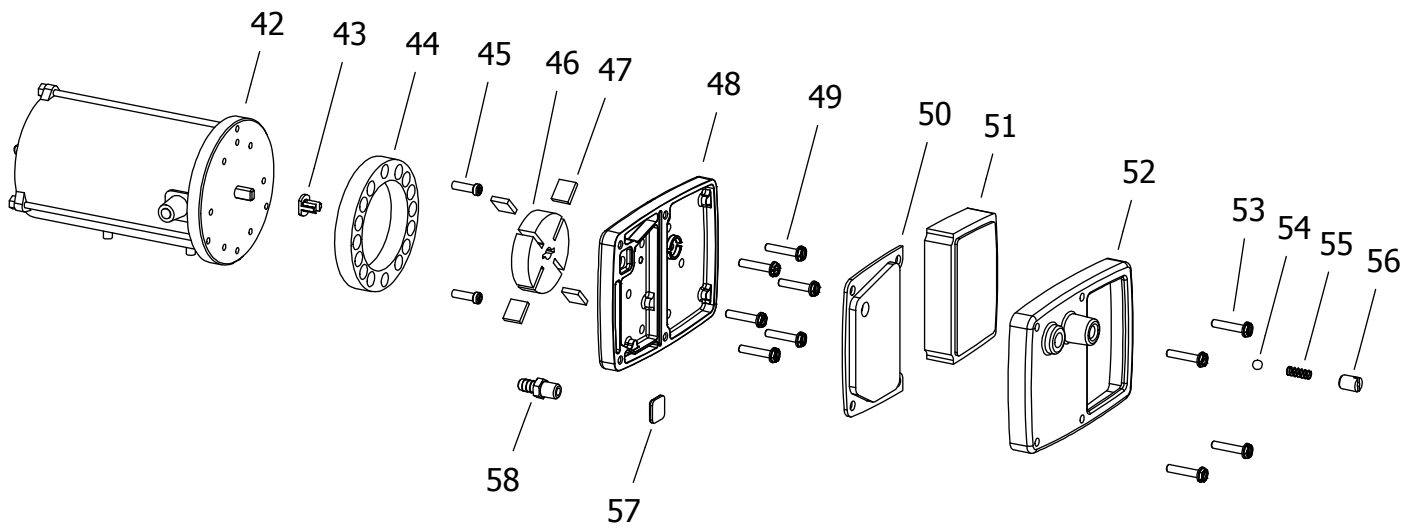
Model 2011



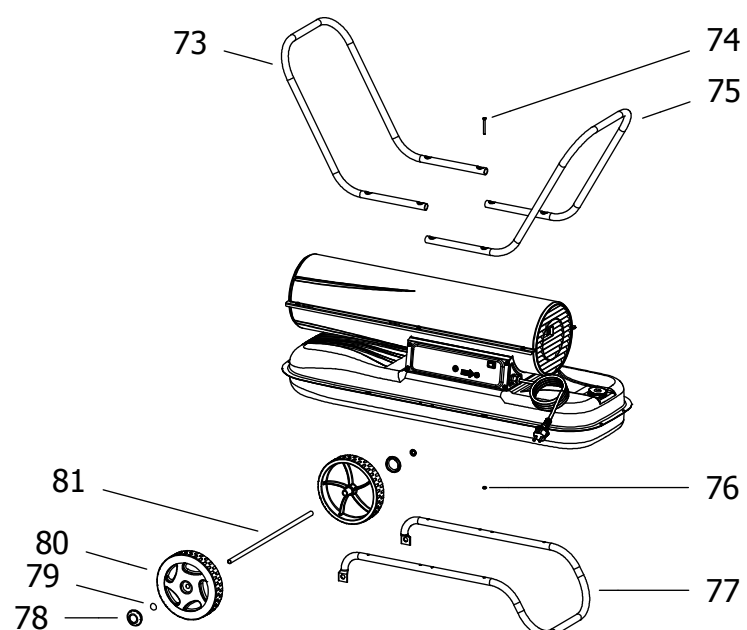
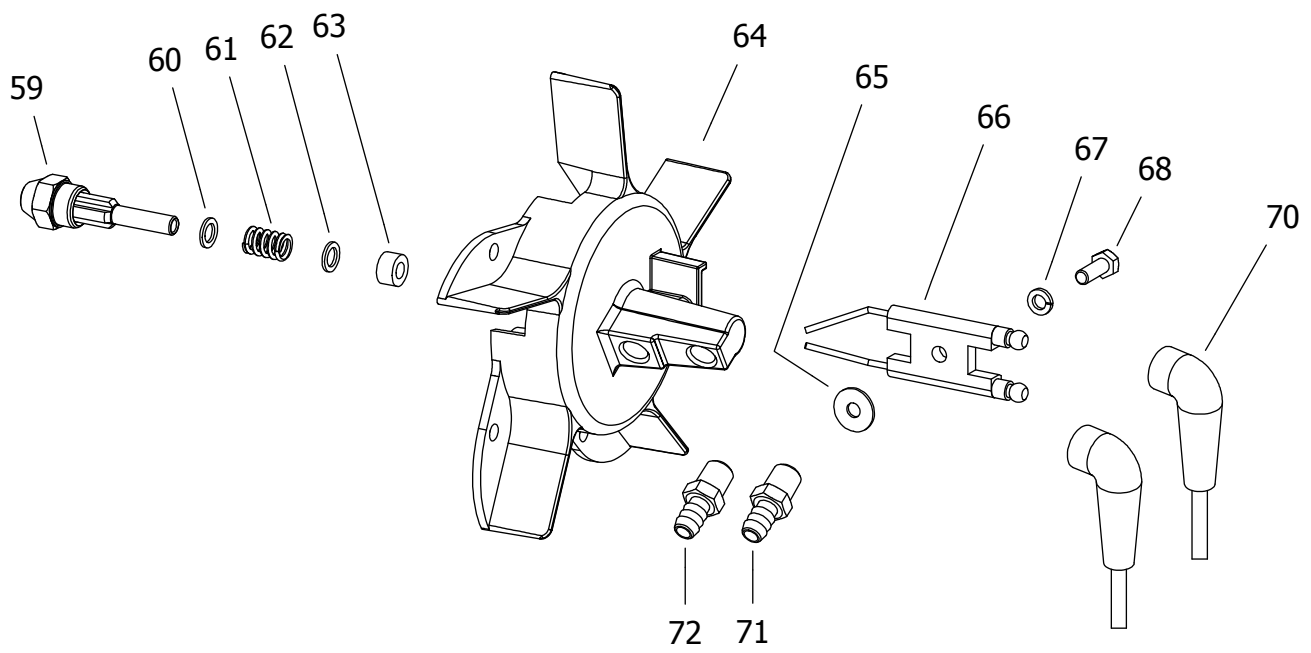
A

Incepand cu seria: 31106984

Model 2011



B



Pos.	Code NR	Description
1	4110.360	UPPER SHELL
2	4101.151	GROMMET
3	4101.151	GROMMET
4	4110.359	LOWER SHELL
5	4110.159	CLAMP
6	4105.062	FAN
7	4104.147	AIR LINE
8	4102.125	PRESSURE GAUGE CAP
9	4103.695	FAN GUARD
10	4110.294	CAPACITOR
11	4101.240	MOTOR BRACKET
12	4150.553	BUMPER
13	4150.553	BUMPER
14	4110.451	POWER CORD
15	4150.528	STRAIN RELIEF
16	4110.353	REAR FRAME BRACKET
17	4100.656	LOCKNUT
18	4100.541	RUBBER BUSHING
19	4110.355	FUEL LINE
20	4110.356	FUEL FILTER
21	4103.891	FUEL TANK CAP
22	4105.292	FUEL TANK FILTER
23	4110.891	FUEL TANK
24	4110.032	FUEL LINE
25	4110.159	CLAMP
26	4111.819	LEFT PANEL
27	4106.110	TERMINAL BOARD
28	4109.592	NUT
29	4104.196	FLAME-OUT CONTROL
30	4104.336	COVER SWITCH
31	4106.179	ON/OFF SWITCH
32	4111.885	ELECTRONIC IGNITOR
33	4110.379	RIGHT PANEL
34	4110.354	FRONT FRAME BRACKET
35	4160.646	GROMMET
36	4160.639	RIVET POP
37	4101.151	GROMMET
38	4104.170	CLIP NUT
39	4110.564	PHOTOCELL ASSEMBLY
40	4100.658	PHOTOCELL BRACKET
41	4101.180	COMBUSTION CHAMBER
42	4110.452	MOTOR 1/4 HP
43	4108.635	INSERT

Pos.	Code NR	Description
44	4101.317	PUMP BODY
45	4108.588	PUMP BODY SCREW
46	4108.627	ROTOR
47	4101.200	BLADE
48	4101.325	PUMP END COVER
49	4108.528	SCREW/LOCKWASHER
50	4101.341	OUTPUT FILTER
51	4101.358	INTAKE FILTER
52	4108.643	END COVER
53	4108.528	SCREW/LOCKWASHER
54	4108.379	STEEL BALL
55	4102.141	PRESSURE RELIEF SPRING
56	4102.133	ADJUSTING SCREW
57	4101.333	LINT FILTER
58	4104.118	BARB FITTING
59	4103.559	NOZZLE
60	4100.525	WASHER
61	4100.533	NOZZLE SEAL SPRING
62	4100.525	WASHER
63	4101.622	NOZZLE SEAL SLEEVE
64	4110.361	BURNER HEAD BODY
65	4110.394	FIBER WASHER
66	4110.337	BIFILAR ELECTRODES
67	4110.393	WASHER
68	4110.363	SCREW
70	4111.831	HT CABLE
71	4104.118	BARB FITTING
72	4104.118	BARB FITTING
73	4110.368	HANDLE
74	4110.144	SCREW
75	4110.368	HANDLE
76	4110.143	LOCK NUT
77	4110.369	WHEEL SUPPORT FRAME
78	4110.129	CAP NUT
79	4110.162	WASHER
80	4110.084	WHEEL
81	4110.370	AXLE

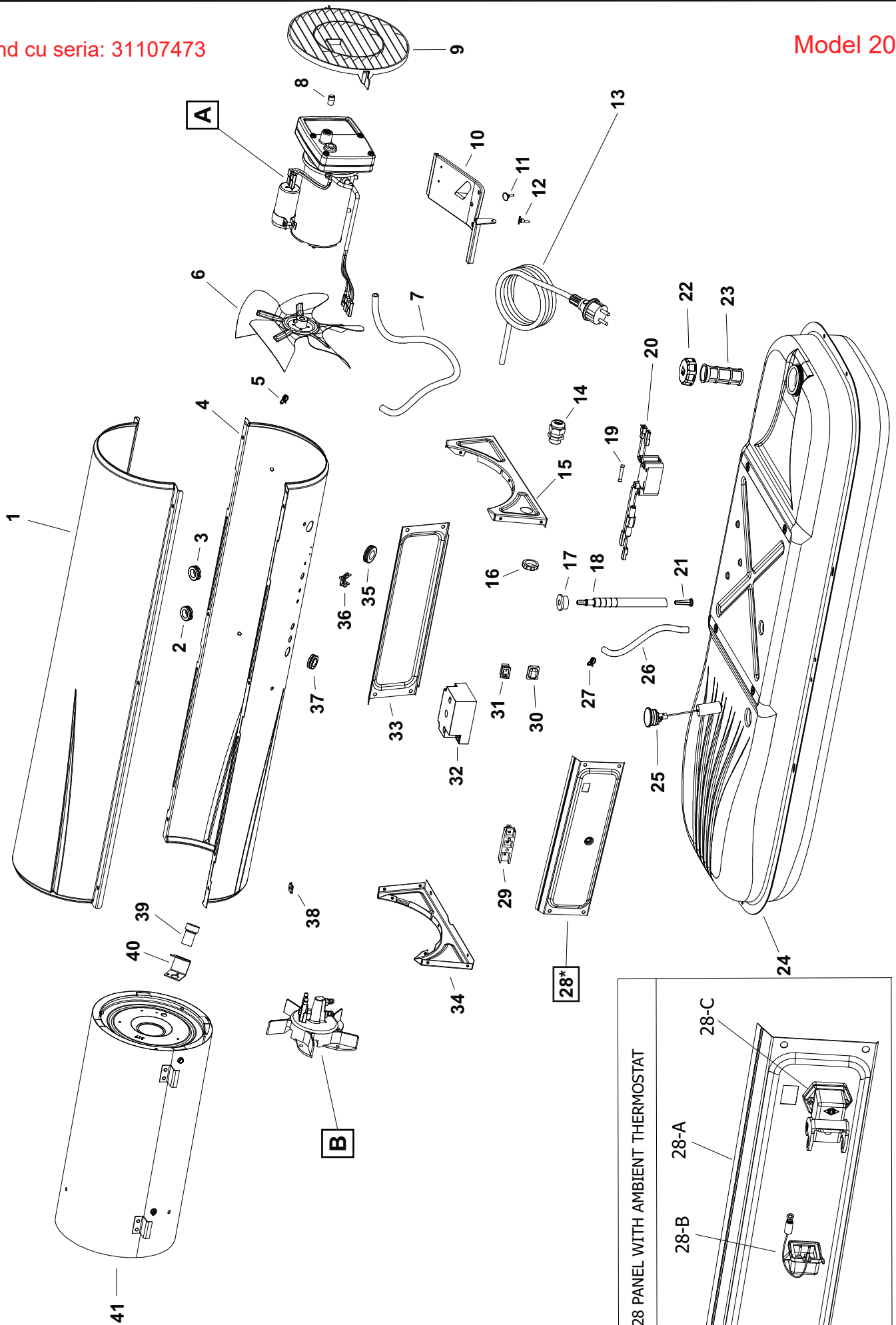
B 100 CED MODEL 2012/2013

UNIT 1

ILLUSTRATED PARTS BREAKDOWN

Model 2013

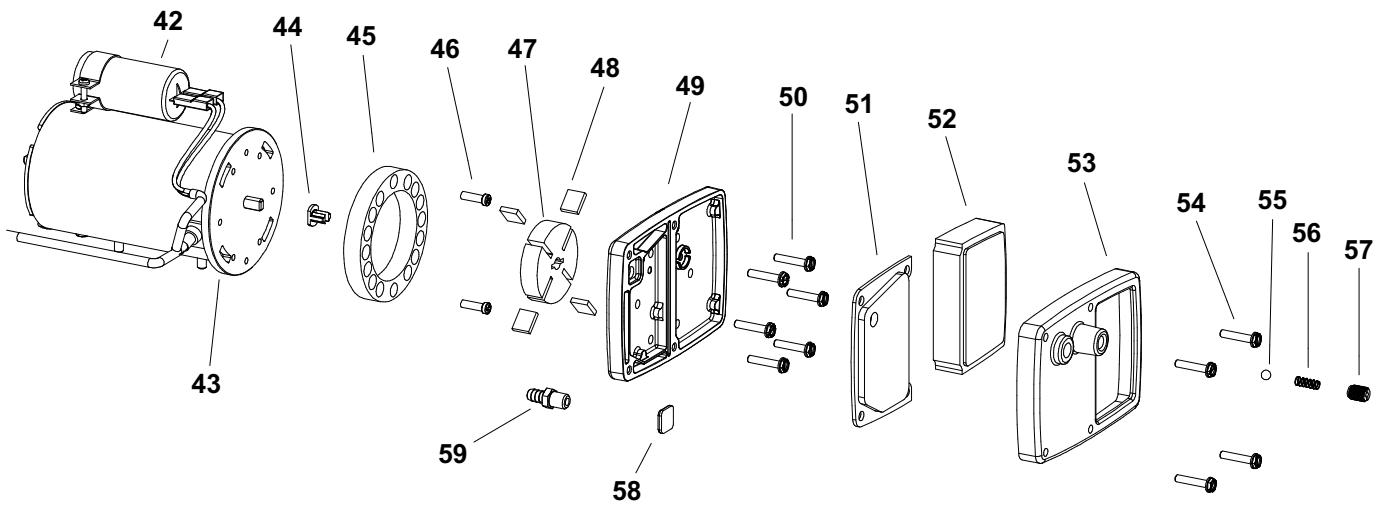
Inceand cu seria: 31107473



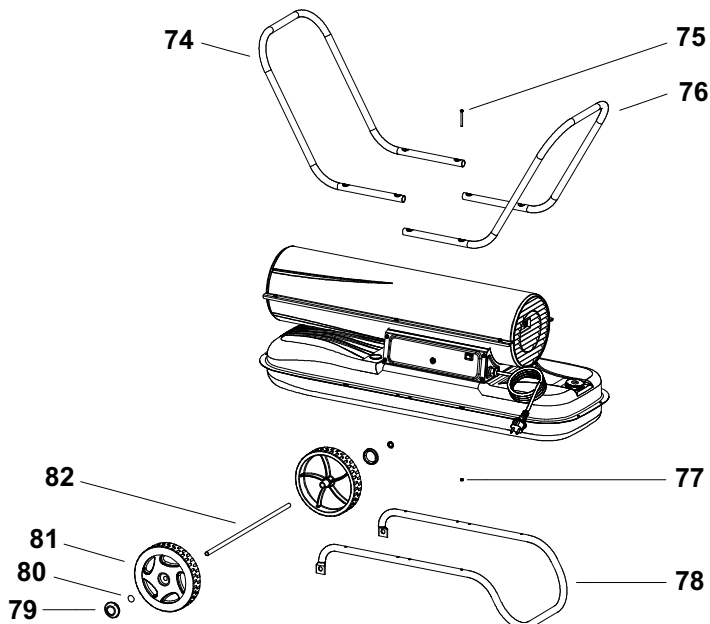
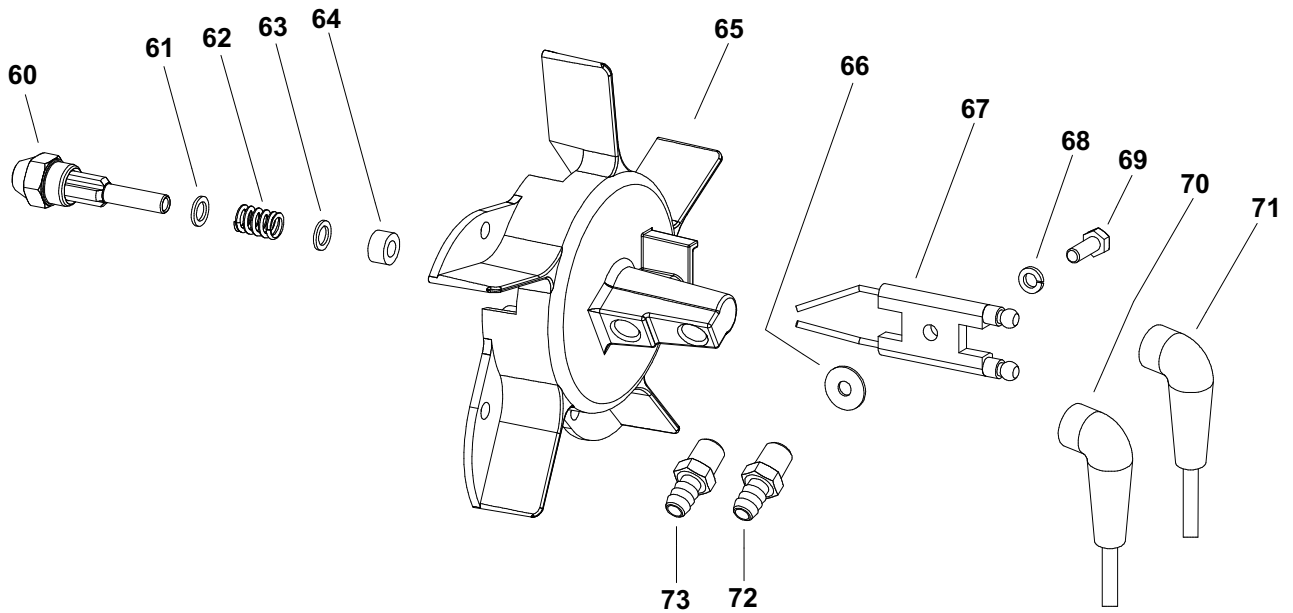
A

Incepand cu seria: 31107473

Model 2013



B



Pos.	Code NR	Description
1	4110.360	UPPER SHELL
2	4101.151	GROMMET
3	4101.151	GROMMET
4	4110.359	LOWER SHELL
5	4110.159	CLAMP
6	4105.062	FAN
7	4104.147	AIR LINE
8	4102.125	PRESSURE GAUGE CAP
9	4103.695	FAN GUARD
10	4101.240	MOTOR BRACKET
11	4150.553	BUMPER
12	4150.553	BUMPER
13	4110.451	POWER CORD SCHUKO
13-A	4111.811	POWER CORD NEW ZEALAND
13-B	4110.464	POWER CORD UK
14	4150.528	STRAIN RELIEF
15	4110.353	REAR FRAME BRACKET
16	4100.656	LOCKNUT
17	4100.541	RUBBER BUSHING
18	4110.355	FUEL LINE
19	4101.864	FUSE
20	4104.193	FLAME-OUT CONTROL
21	4110.356	FUEL FILTER
22	4260.007	FUEL TANK CAP
23	4290.026	FUEL TANK FILTER
24	4110.891	FUEL TANK
25	4260.017	FUEL GAUGE CED
26	4110.032	FUEL LINE
27	4110.159	CLAMP
28-A	4100.513	LEFT PANEL FOR AMBIENT THERMOSTAT
28-B	4162.467	CAP FOR THERMOSTAT SOCKET
28-C	4111.119	THERMOSTAT SOCKET
29	4106.110	TERMINAL BOARD
30	4104.336	COVER SWITCH
31	4106.179	ON/OFF SWITCH
32	4111.885	ELECTRONIC IGNITOR
33	4110.379	RIGHT PANEL
34	4110.354	FRONT FRAME BRACKET
35	4160.646	GROMMET
36	4160.639	RIVET POP
37	4101.151	GROMMET
38	4104.170	CLIP NUT
39	4110.564	PHOTOCELL ASSEMBLY
40	4100.658	PHOTOCELL BRACKET
41	4101.180	COMBUSTION CHAMBER
42	4111.855	CAPACITOR 10UF
42	4110.294	CAPACITOR 8UF

Pos.	Code NR	Description
43	4110.452	MOTOR 1/4 HP
44	4108.635	INSERT
45	4101.317	PUMP BODY
46	4108.588	PUMP BODY SCREW
47	4108.627	ROTOR
48	4101.200	BLADE
49	4101.325	PUMP END COVER
50	4108.528	SCREW/LOCKWASHER
51	4101.341	OUTPUT FILTER
52	4101.358	INTAKE FILTER
53	4108.643	END COVER
54	4108.528	SCREW/LOCKWASHER
55	4108.379	STEEL BALL
56	4102.141	PRESSURE RELIEF SPRING
57	4102.133	ADJUSTING SCREW
58	4101.333	LINT FILTER
59	4104.118	BARB FITTING
60	4103.559	NOZZLE
61	4100.525	WASHER
62	4100.533	NOZZLE SEAL SPRING
63	4100.525	WASHER
64	4101.622	NOZZLE SEAL SLEEVE
65	4110.361	BURNER HEAD BODY
66	4110.394	FIBER WASHER
67	4110.337	ELECTRODE
68	4110.393	WASHER
69	4110.363	SCREW
70	4111.831	HT CABLE
71	4111.831	HT CABLE
72	4104.118	BARB FITTING
73	4104.118	BARB FITTING
74	4110.368	HANDLE
75	4110.144	SCREW
76	4110.368	HANDLE
77	4110.143	LOCK NUT
78	4110.369	WHEEL SUPPORT FRAME
79	4110.129	CAP NUT
80	4110.162	WASHER
81	4110.084	WHEEL
82	4110.370	AXLE

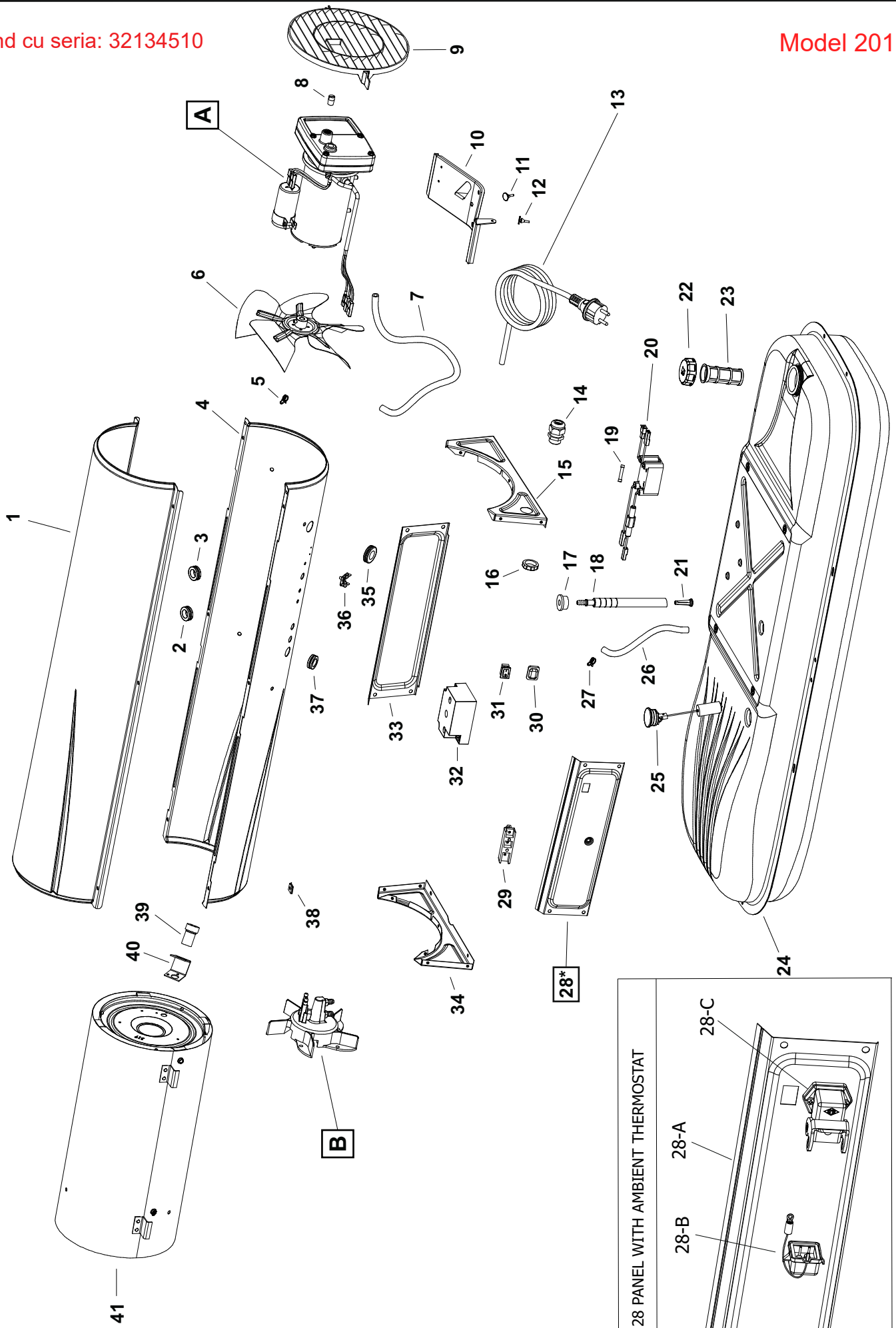
B 100 CED MODEL 2013

UNIT 1

ILLUSTRATED PARTS BREAKDOWN

Incepand cu seria: 32134510

Model 2013



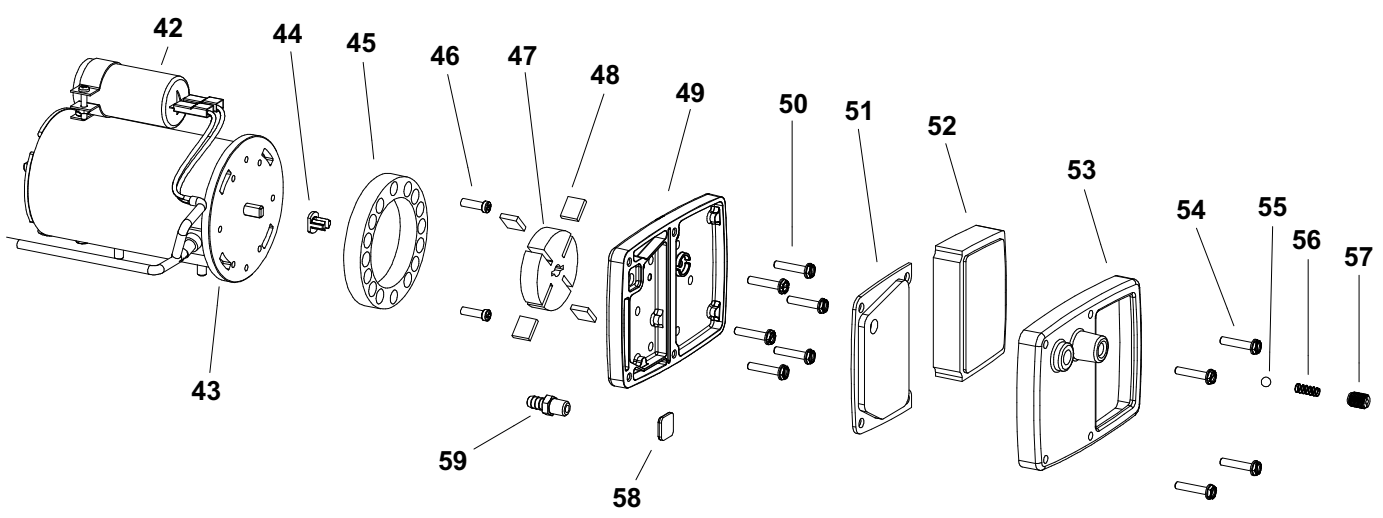
*

B 100 CED MODEL 2013

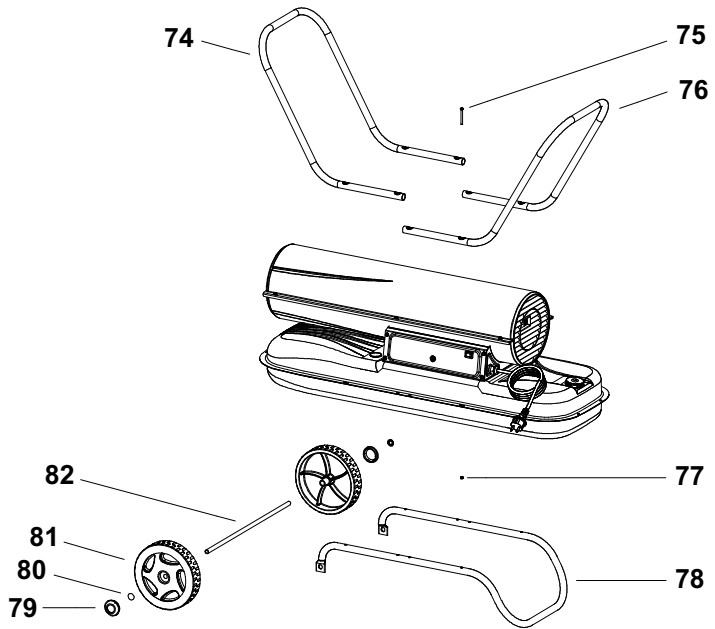
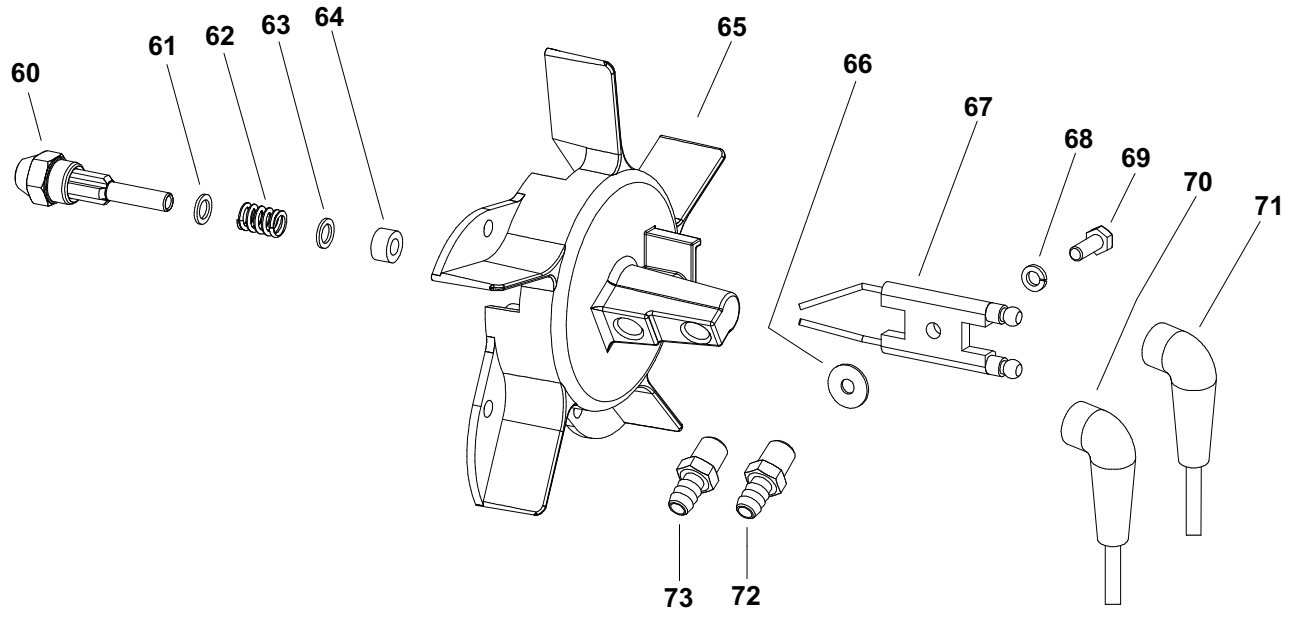
UNIT 2

ILLUSTRATED PARTS BREAKDOWN

A



B



Pos.	Code NR	Description
1	4110.360	UPPER SHELL
2	4101.151	GROMMET
3	4101.151	GROMMET
4	4110.359	LOWER SHELL
5	4110.159	CLAMP
6	4105.062	FAN
7	4104.147	AIR LINE
8	4102.125	PRESSURE GAUGE CAP
9	4103.695	FAN GUARD
10	4101.240	MOTOR BRACKET
11	4150.553	BUMPER
12	4150.553	BUMPER
13	4110.451	POWER CORD SCHUKO
13-A	4111.811	POWER CORD NEW ZEALAND
13-B	4110.464	POWER CORD UK
14	4150.528	STRAIN RELIEF
15	4110.353	REAR FRAME BRACKET
16	4100.656	LOCKNUT
17	4100.541	RUBBER BUSHING
18	4110.355	FUEL LINE
19	4101.864	FUSE
20	4104.193	FLAME-OUT CONTROL
21	4110.356	FUEL FILTER
22	4260.007	FUEL TANK CAP
23	4290.026	FUEL TANK FILTER
24	4110.891	FUEL TANK
25	4260.017	FUEL GAUGE CED
26	4110.032	FUEL LINE
27	4110.159	CLAMP
28-A	4100.513	LEFT PANEL FOR AMBIENT THERMOSTAT
28-B	4162.467	CAP FOR THERMOSTAT SOCKET
28-C	4111.119	THERMOSTAT SOCKET
29	4106.110	TERMINAL BOARD
30	4104.336	COVER SWITCH
31	4106.179	ON/OFF SWITCH
32	4111.885	ELECTRONIC IGNITOR
33	4110.379	RIGHT PANEL
34	4110.354	FRONT FRAME BRACKET
35	4160.646	GROMMET
36	4160.639	RIVET POP
37	4101.151	GROMMET
38	4104.170	CLIP NUT
39	4110.564	PHOTOCELL ASSEMBLY
40	4100.658	PHOTOCELL BRACKET
41	4101.180	COMBUSTION CHAMBER
42	4111.855	CAPACITOR 10UF
42	4110.294	CAPACITOR 8UF

Pos.	Code NR	Description
43	4110.452	MOTOR 1/4 HP
44	4108.635	INSERT
45	4101.317	PUMP BODY
46	4108.588	PUMP BODY SCREW
47	4108.627	ROTOR
48	4101.200	BLADE
49	4101.325	PUMP END COVER
50	4108.528	SCREW/LOCKWASHER
51	4101.341	OUTPUT FILTER
52	4101.358	INTAKE FILTER
53	4108.643	END COVER
54	4108.528	SCREW/LOCKWASHER
55	4108.379	STEEL BALL
56	4102.141	PRESSURE RELIEF SPRING
57	4102.133	ADJUSTING SCREW
58	4101.333	LINT FILTER
59	4104.118	BARB FITTING
60	4103.559	NOZZLE
61	4100.525	WASHER
62	4100.533	NOZZLE SEAL SPRING
63	4100.525	WASHER
64	4101.622	NOZZLE SEAL SLEEVE
65	4110.361	BURNER HEAD BODY
66	4110.394	FIBER WASHER
67	4110.337	ELECTRODE
68	4110.393	WASHER
69	4110.363	SCREW
70	4111.831	HT CABLE
71	4111.831	HT CABLE
72	4104.118	BARB FITTING
73	4104.118	BARB FITTING
74	4110.368	HANDLE
75	4110.144	SCREW
76	4110.368	HANDLE
77	4110.143	LOCK NUT
78	4110.369	WHEEL SUPPORT FRAME
79	4110.129	CAP NUT
80	4110.162	WASHER
81	4110.084	WHEEL
82	4110.370	AXLE